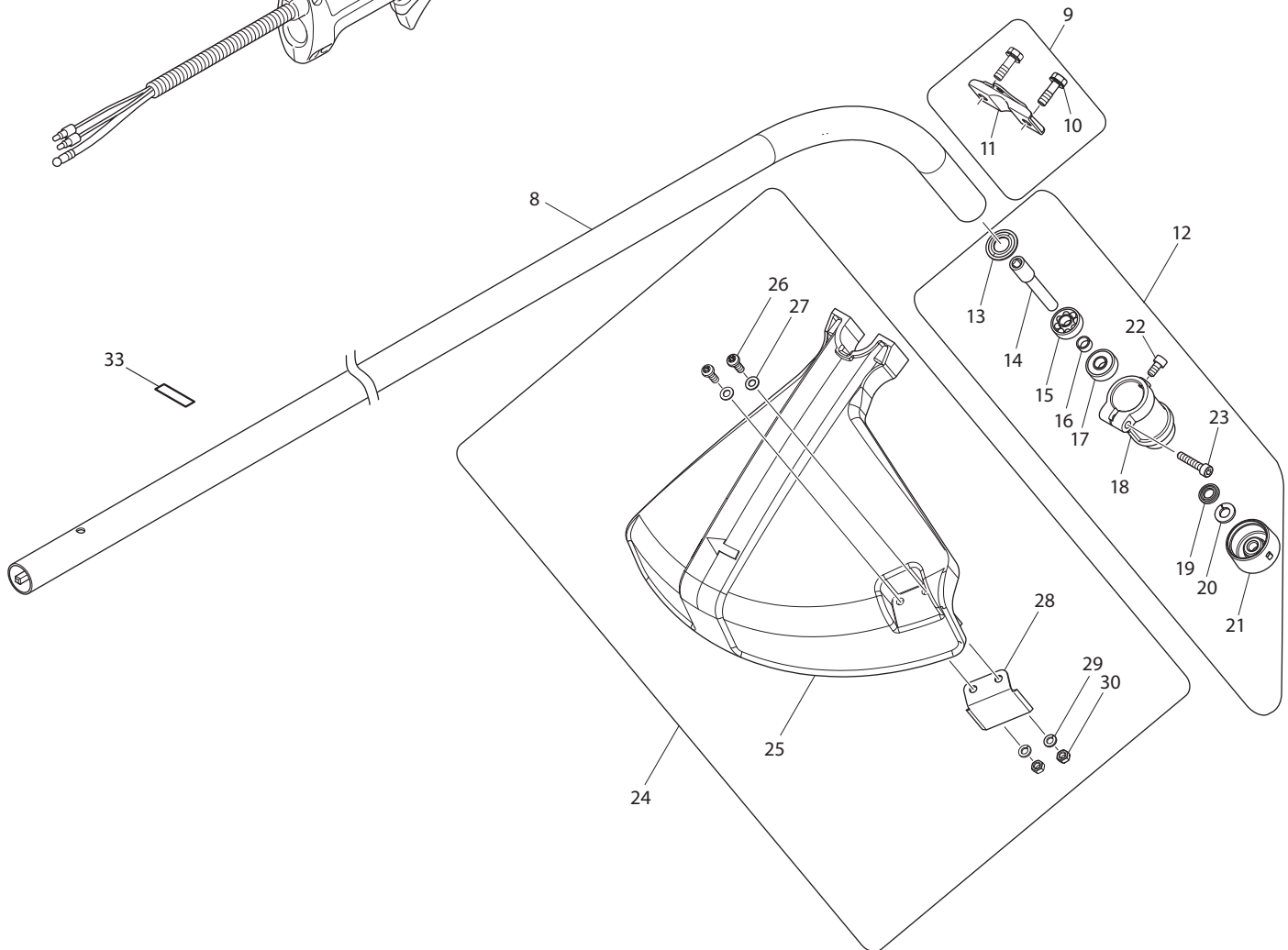
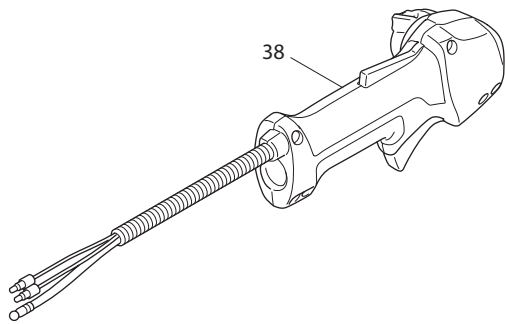
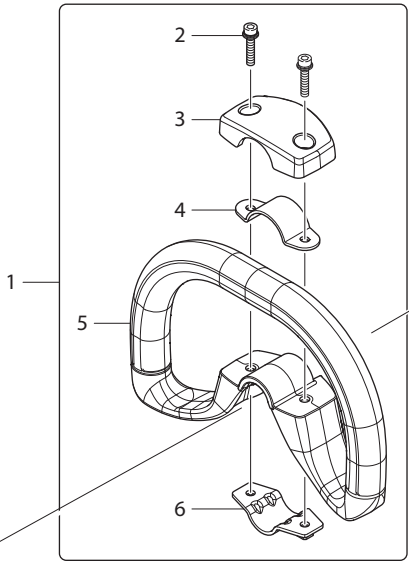
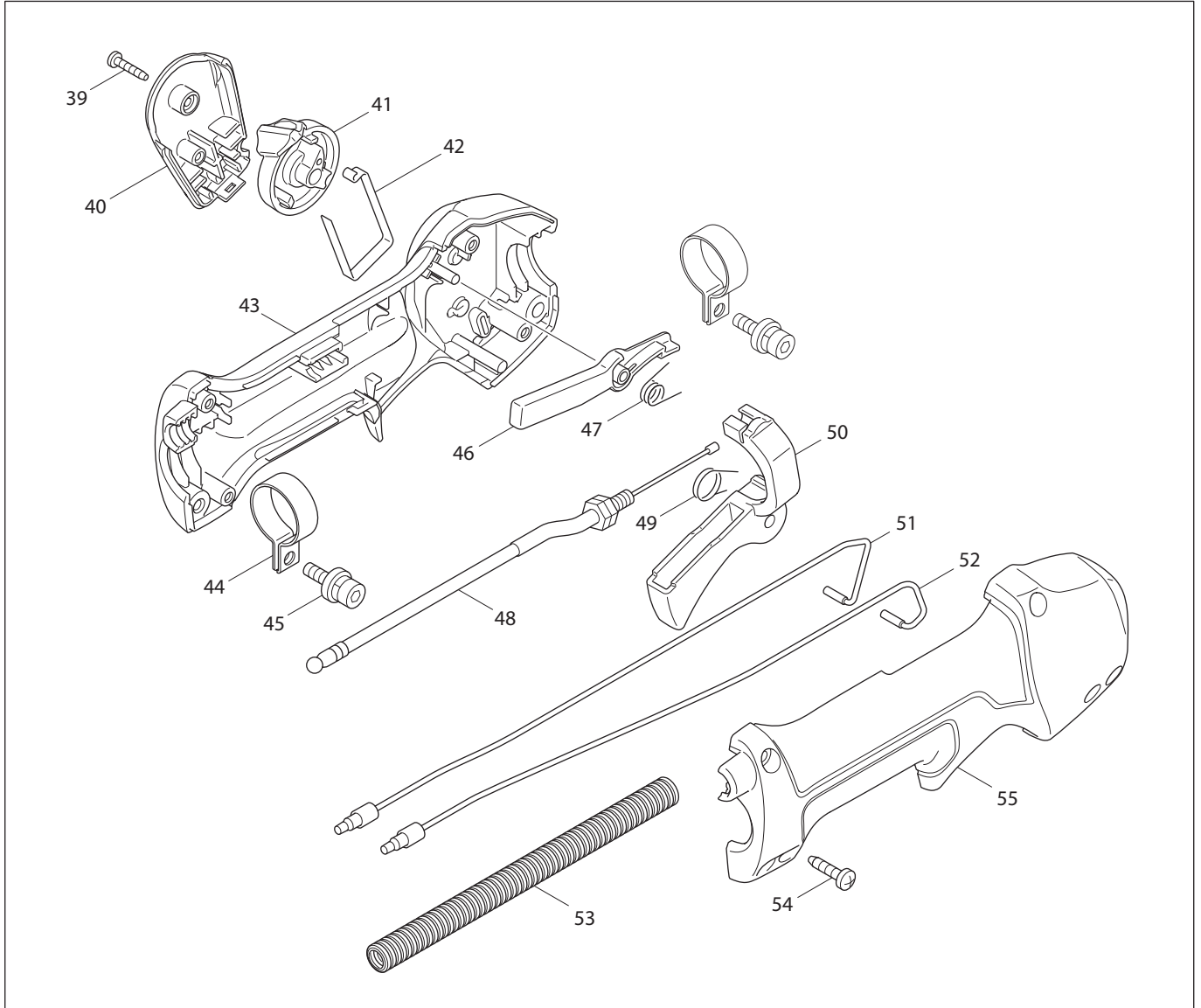


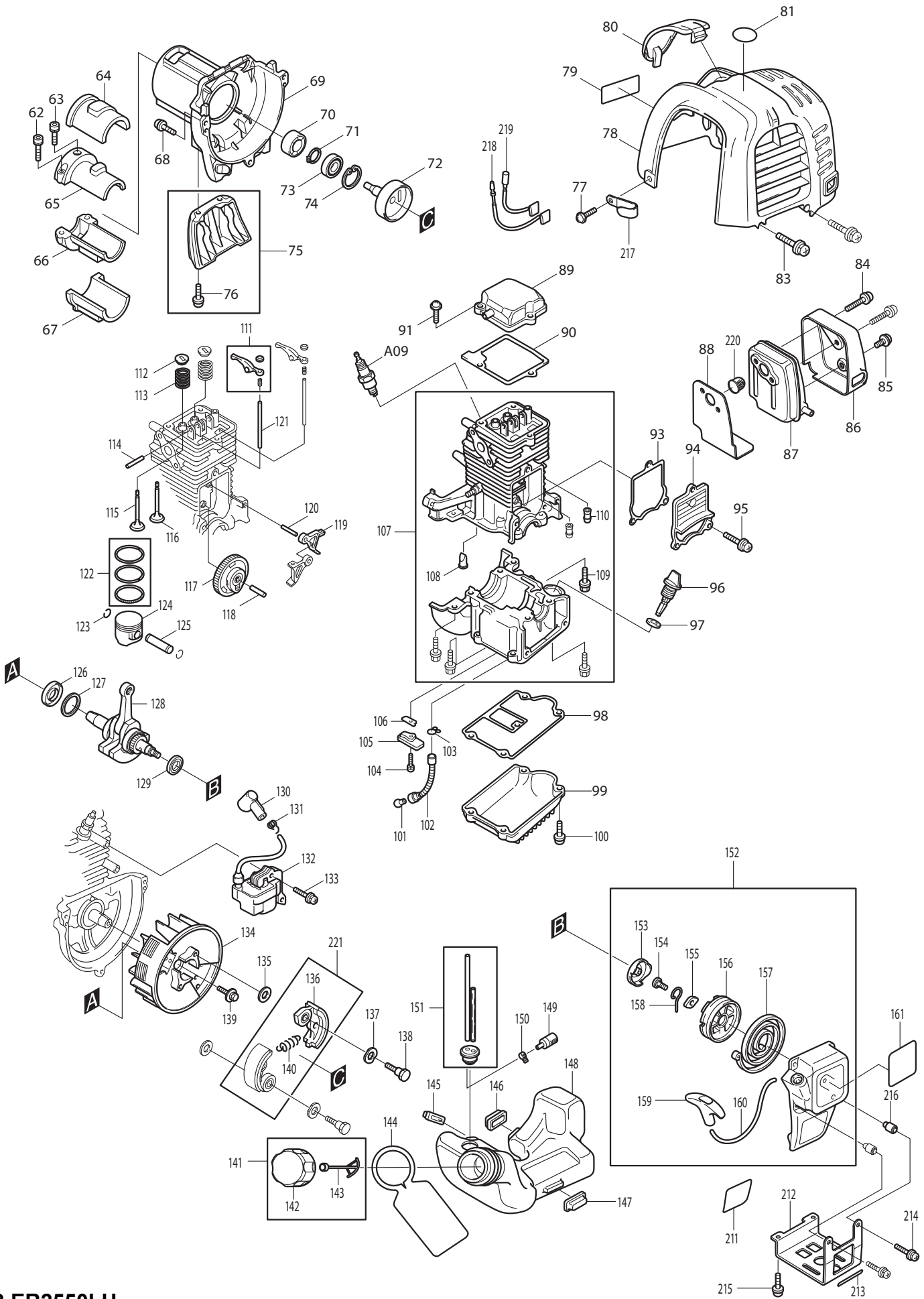


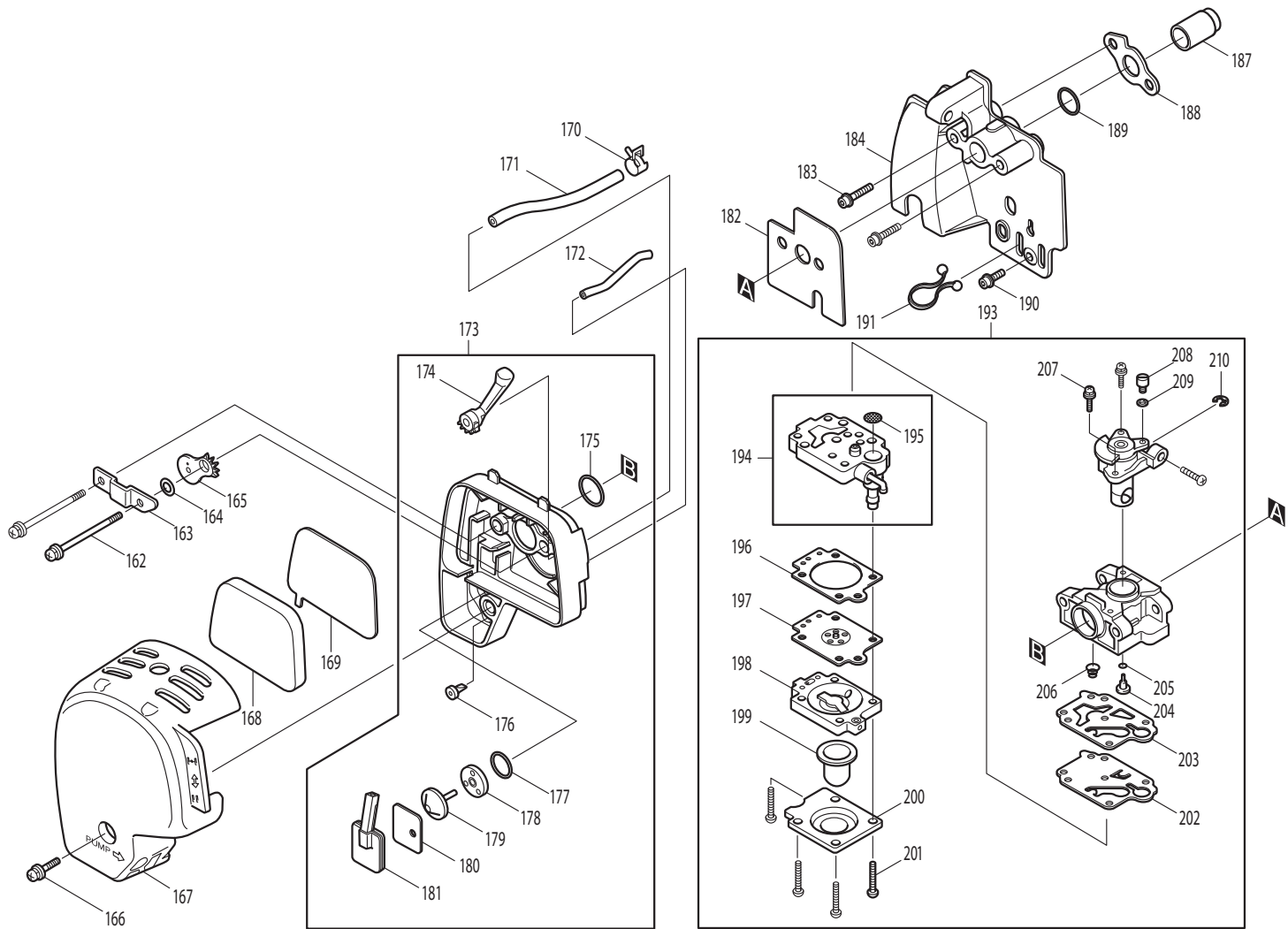
12 - 2011
ER2550LH
24.5CC 4 STROKE LINER TRIMMER





38





Item No.	Type	Sub	Part No.	Description	Qty	Unit
001			195626-2	LOOP HANDLE SET	1	PC.
		INC.		Item No. 2-6		
002			922243-3	HEX. SOCKET HEAD BOLT M5X25	2	PC.
003			452843-0	CLAMP COVER B	1	PC.
004			346468-9	CLAMP 33	1	PC.
005			452841-4	LOOP HANDLE	1	PC.
006	1		346467-1	CLAMP 24	1	PC.
	2		347094-7	CLAMP 24	1	PC.
008			141507-8	BENT PIPE COMPLETE	1	PC.
		INC.	808723-2	CAUTION LABEL	1	PC.
		INC.	893145-9	CAUTION LABEL	1	PC.
009			141014-1	CLAMP COMPLETE	1	PC.
		INC.		Item No. 10		
010			266775-3	HEX BOLT M6X20 WR - N/L/A as individually	2	PC.
012	2		141894-5	HEAD CASE COMPLETE	1	PC.
	2	INC.		Item No. 14-21, 23		
013			267845-1	BEARING WASHER	1	PC.
014			326195-4	CUTTER SHAFT	1	PC.
015			211368-1	BALL BEARING 608ZZ	1	PC.
016			257335-2	COLLAR	1	PC.
017			211367-3	BALL BEARING 608DDW	1	PC.
018			318900-3	HEAD CASE	1	PC.
019			267844-3	WASHER	1	PC.
020			267846-9	SPRING WASHER M8	1	PC.
021			318901-1	CUTTER HOLDER	1	PC.
022			922207-7	HEX. SOCKET HEAD BOLT M5X10	1	PC.
023			922242-5	HEX. SOCKET HEAD BOLT M5X25	1	PC.
025			453782-7	SAFETY COVER	1	PC.
026			266776-1	SCREW M5X14	2	PC.
027			267842-7	WASHER M5	2	PC.
028			346612-8	CUTTER	1	PC.
029			267843-5	SPRING WASHER M5	2	PC.
030			264079-7	NUT M5	2	PC.
033	1		819760-1	DATE CODE LABEL	1	PC.
	2		814F56-1	SERIAL NO. LABEL	1	PC.
034			819432-8	CAUTION TAG (10 LANGUAGES)	1	PC.
		INC.		Item No. 39-55		
038	1		125759-9	CONTROL LEVER ASSEMBLY	1	PC.
	2		126487-9	CONTROL LEVER ASSEMBLY	1	PC.
039			266130-9	TAPPING SCREW BIND PT 3X16	1	PC.
040			451595-0	SWITCH COVER	1	PC.
041			451594-2	SWITCH LEVER	1	PC.
042			232251-9	LEAF SPRING	1	PC.
043			188832-6	LEVER CASE SET	1	PC.
		INC.		Item No. 55		
044			346248-3	CLAMP 24	2	PC.
045			922218-2	H.S.H.BOLT M5X14 WITH WR	2	PC.
046			451593-4	LOCK LEVER	1	PC.
047			233541-3	TORSION SPRING 7	1	PC.
048			168549-7	CONTROL CABLE	1	PC.
049			233540-5	TORSION SPRING 11	1	PC.
050	2		455313-8	* THROTTLE LEVER	1	PC.
051			638676-9	LEAD UNIT	1	PC.
052			638677-7	LEAD UNIT	1	PC.
053			451602-9	CORRUGATE TUBE	1	PC.
054			266326-2	TAPPING SCREW 4X18	4	PC.
055			188832-6	LEVER CASE SET	1	PC.
		INC.		Item No. 43		
062			922226-3	HEX. SOCKET HEAD BOLT M5X18	2	PC.
063			922211-6	HEX. SOCKET HEAD BOLT M5X12	1	PC.
064			424191-7	PIPE DAMPER 1	1	PC.
065			318270-0	PIPE BRACKET 1	1	PC.
066			318271-8	PIPE BRACKET 2	1	PC.
067			424107-2	PIPE DAMPER 2	1	PC.

Item No.	Type	Sub	Part No.	Description	Qty	Unit
068			922222-1	HEX. SOCKET HEAD BOLT M5X16	3	PC.
069			318329-3	CLUTCH CASE	1	PC.
070			450569-8	SPACER	1	PC.
071			961052-5	RETAINING RING S-12	1	PC.
072			168710-6	CLUTCH DRUM COMPLETE	1	PC.
073			210111-5	BALL BEARING 6201LLU	1	PC.
074			962151-6	RETAINING RING R-32	1	PC.
075			195144-0	STAND SET	1	PC.
		INC.		Item No. 76		
076			911218-7	PAN HEAD SCREW M5X14 W/WASHER & SPRING WASHER	2	PC.
077			911213-7	PAN HEAD SCREW M5X12	2	PC.
078			450654-7	CYLINDER COVER	1	PC.
080	2		452144-6	PLUG COVER	1	PC.
083			911128-8	PAN HEAD SCREW M4X16	2	PC.
084			266440-4	HEX SOCKET HEAD BOLT M5X40	2	PC.
085			265184-3	+TRUSS HEAD SCREW M5X5	1	PC.
086			345915-7	MUFFLER COVER	1	PC.
087			168469-5	EXHAUST MUFFLER	1	PC.
088			345916-5	MUFFLER GASKET	1	PC.
089	2		140B46-7	ROCKER COVER COMPLETE	1	PC.
090			162275-0	ROCKER COVER GASKET	1	PC.
091			922223-9	H.S.H.BOLT M5X16 WITH WR	3	PC.
093			162274-2	CAM GEAR COVER GASKET	1	PC.
094			318443-5	CAM GEAR COVER	1	PC.
095			922217-4	HEX. SOCKET HEAD BOLT M5X14	3	PC.
096			450565-6	OIL GAUGE	1	PC.
097			424100-6	GASKET	1	PC.
098			162276-8	CASE GASKET	1	PC.
099			318442-7	OIL CASE	1	PC.
100			922217-4	HEX. SOCKET HEAD BOLT M5X14	4	PC.
101			325666-8	OIL WEIGHT	1	PC.
102			424202-8	OIL TUBE	1	PC.
103			282020-8	HOSE CLAMP	1	PC.
104			922112-8	HEX. SOCKET HEAD BOLT M4X10	1	PC.
105			318440-1	RETAINER PLATE	1	PC.
106			346083-9	LEAD VALVE	1	PC.
107			135375-9	CYLINDER BLOCK ASSEMBLY	1	PC.
		INC.		Item No. 108-110		
108			424201-0	CHECK VALVE	2	PC.
109			922217-4	HEX. SOCKET HEAD BOLT M5X14	8	PC.
110			424200-2	SPACER	2	PC.
111			125554-7	ROCKER ARM ASSEMBLY	2	PC.
112			325668-4	SPRING RETAINER	2	PC.
113			234108-0	COMPRESSION SPRING 9	2	PC.
114			256200-2	PIN 5	1	PC.
115	2		326367-1	INTAKE VALVE	1	PC.
116	2		326366-3	EXHAUST VALVE	1	PC.
117			125552-1	CAM GEAR ASSEMBLY	1	PC.
118			268238-5	PIN 5	1	PC.
119			313169-4	CAM LIFTER	2	PC.
120			268239-3	PIN 4	1	PC.
121			256865-0	ROD 2.5	2	PC.
122	2		196595-0	PISTON RING SET	1	SET
123			233976-8	CLIP	2	PC.
124			318441-9	PISTON	1	PC.
125			257781-9	PISTON PIN	1	PC.
126	2		213089-1	OIL SEAL 12	1	PC.
127			267400-9	FLAT WASHER 23	1	PC.
128	2		135539-5	CRANKSHAFT ASSEMBLY	1	PC.
129	2		213769-9	OIL SEAL 10	1	PC.
130			424105-6	PLUG CAP	1	PC.
131			324891-8	PLUG CAP SPRING	1	PC.
132	2		168816-0	* IGNITION COIL	1	PC.
133			922138-0	H.S.H.BOLT M4X20 WITH WR	2	PC.

Item No.	Type	Sub	Part No.	Description	Qty	Unit
134	2		319012-5	FLYWHEEL	1	PC.
135			267812-6	WASHER 6	2	PC.
136	2		161332-1	CLUTCH SHOE	2	PC.
137			267817-6	WASHER 8	2	PC.
138	1		266457-7	SHOULDER HEX. BOLT M6X25	2	PC.
	2		266864-4	SHOULDER HEX. BOLT M6X25	2	PC.
139			265577-4	HEX HEAD BOLT M6X16	1	PC.
140	1		231858-8	* TENSION SPRING 6	1	PC.
	2		231881-3	* TENSION SPRING 7	1	PC.
141			125472-9	FUEL TANK CAP ASSEMBLY	1	PC.
		INC.		Item No. 142,143		
142			140435-4	FUEL TANK CAP	1	PC.
143			140436-2	STRAP COMPLETE	1	PC.
144			810455-9	CAUTION PLATE	1	PC.
145			424102-2	PLATE	1	PC.
146			424103-0	PLATE	1	PC.
147			424104-8	DAMPER	1	PC.
148	1		451251-2	* FUEL TANK (For the machine produced in or before 2011)	1	PC.
	2		454004-8	* FUEL TANK (For the machine produced in or after 2012)	1	PC.
	3		123417-1	* FUEL TANK ASSEMBLY	1	PC.
		INC.		* Item No. 141, 149-151		
149	2		163447-0	FUEL FILTER	1	PC.
150			345920-4	HOSE CLAMP	1	PC.
151	2		168770-8	TUBE COMPLETE	1	PC.
152			195146-6	RECOIL STARTER SET	1	PC.
		INC.		Item No. 153-160		
153			168483-1	PULLEY	1	PC.
154			266585-8	TAPPING SCREW 5X12	1	PC.
155			451938-6	COLLAR	1	PC.
156			451937-8	REEL	1	PC.
157			232258-5	SPIRAL SPRING	1	PC.
158			325923-4	SWING ARM	1	PC.
159			424319-7	STARTER KNOB	1	PC.
160			444019-3	STARTER ROPE	1	PC.
161			893142-5	ER2550LH MODEL NO. LABEL	1	PC.
162			265188-5	+PAN HEAD SCREW M5X68	2	PC.
163			345919-9	PLATE	1	PC.
164			423376-2	GASKET	1	PC.
165			450560-6	CHOKE PLATE	1	PC.
166			911218-7	PAN HEAD SCREW M5X14 W/WASHER & SPRING WASHER	1	PC.
167			450561-4	AIR CLEANER COVER	1	PC.
168			443141-3	AIR CLEANER ELEMENT	1	PC.
169			443140-5	AIR CLEANER ELEMENT	1	PC.
170			345918-1	HOSE CLAMP	1	PC.
171			422041-0	BREATHER PIPE	1	PC.
172			422042-8	PIPE	1	PC.
173			125468-0	CLEANER PLATE ASSEMBLY	1	PC.
		INC.	140814-6	AIR CLEANER PLATE COMPLETE	1	PC.
		INC.		Item No. 174-181		
174			451925-5	CHOKE LEVER	1	PC.
175			213540-1	O RING 15	1	PC.
176			424316-3	CHECK VALVE	1	PC.
177			213539-6	O RING 14	1	PC.
178			451924-7	CHECK VALVE PLATE	1	PC.
179			424315-5	CHECK VALVE	1	PC.
180			168577-2	SEPARATOR GASKET	1	PC.
181			168576-4	SEPARATOR PLATE	1	PC.
182			413121-3	CARBURETOR GASKET	1	PC.
183			922228-9	H.S.H.BOLT M5X18 WITH WR	2	PC.
184			450559-1	INSULATOR	1	PC.
187			324961-3	INTAKE PIPE	1	PC.
188			413120-5	INSULATOR GASKET	1	PC.
189			213078-6	O-RING 10	1	PC.
190			922213-2	H.S.H.BOLT M5X12 WITH WR	1	PC.

Item No.	Type	Sub	Part No.	Description	Qty	Unit
191			450562-2	CLAMP	1	PC.
193			168497-0	CARBURETOR	1	PC.
		INC.		Item No. 194,196-210		
194			140437-0	PUMP BODY	1	PC.
		INC.		Item No. 195		
195	1		352010-6	INLET SCREEN	1	PC.
	2		WJ00014070	INLET SCREEN	1	PC.
196			442154-1	METERING DIAPHRAGM GASKET	1	PC.
197	3		WJ00095586	METERING DIAPHRAGM	1	PC.
198			140438-8	AIR PURGE BODY	1	PC.
199			424314-7	PRIMER PUMP	1	PC.
200			346270-0	PRIMER PUMP COVER	1	PC.
201			266582-4	TAPPING SCREW 3X24	4	PC.
202	2		WJ00009599	PUMP DIAPHRAGM	1	PC.
203			442155-9	PUMP GASKET	1	PC.
204			325924-2	JET	1	PC.
205			213538-8	O RING 2	1	PC.
206			234183-6	CONICAL COMPRESSION SPRING 5-9	1	PC.
207	1		266581-6	PAN HEAD SCREW M3X8 WITH WR	2	PC.
	2		WJ00096364	SCREW M3X8 WITH WASHER	2	PC.
208			325922-6	SWIVEL	1	PC.
209			413140-9	WASHER	1	PC.
210			257964-1	STOP RING E-3	1	PC.
212			345964-4	TANK GUARD	1	PC.
213			814998-3	SERIAL LABEL	1	PC.
214			911148-2	PAN HEAD SCREW M4X25	2	PC.
215			911213-7	PAN HEAD SCREW M5X12	2	PC.
216			331835-1	SPACER	2	PC.
217			345963-6	CLAMP	1	PC.
218	1		638664-6	* LEAD UNIT	1	PC.
	2		632E38-3	* LEAD UNIT	1	PC.
219	1		638665-4	* LEAD UNIT	1	PC.
	2		632E39-1	* LEAD UNIT	1	PC.
220			324980-9	SPARK ARRESTER	1	PC.
221	1		125518-1	* CLUTCH ASSEMBLY	1	PC.
		INC.		* Item No. 136,140		
221	2		126135-0	* CLUTCH ASSEMBLY	1	PC.
		INC.		* Item No. 136,140		
222			256530-1	PIN 4 (For Item No.A01, Cutter Assembly)	1	PC.
C01A			873052-2	CARTON	1	PC.

ACCESSORIES

A01			122980-1	BUMP&FEED 4 HEAD ASSY RH	1	PC.
		INC.	141329-6	HOUSING COMPLETE	1	PC.
		INC.	234229-8	COMPRESSION SPRING 13	1	PC.
		INC.	318816-2	EYE LET	2	PC.
		INC.	318848-9	NUT M8	1	PC.
		INC.	453227-5	COVER	1	PC.
		INC.	453228-3	BOBBIN	1	PC.
		INC.	-----	NYLON CORD - N/A as individually	1	PC.
A02	1		195500-4	OIL SET (4 STROKE ENGINE OIL 80CC) - N/A as repair part	1	PC.
	2		196121-5	OIL SET (4 STROKE ENGINE OIL 80CC) - N/A as repair part	1	PC.
A03			831304-7	ACCESSORY BAG	1	PC.
A05			782233-6	BOX DRIVER 10-16	1	PC.
A06			783223-2	WRENCH 4	1	PC.
A07			141511-7	PROTECTOR COMPLETE	1	PC.
		INC.	890282-0	CAUTION LABEL (EN/FR/SP)	1	PC.
		INC.		Item No. 25-30		
A08			A-89193	NYLON CORD, DIA 2.4MMX3M	1	PC.
			B-01971	NYLON CORD, DIA 2.4MMX5M	1	PC.
A09			168534-0	SPARK PLUG (CMR4A)	1	PC.
A10			197678-9	ENGINE MAINTENANCE KIT F/EH025, EH035	1	PC.

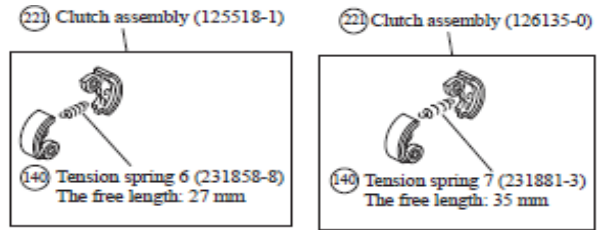
Item No.	Type	Sub	Part No.	Description	Qty	Unit
		INC.		Item No. 149,168,169, A09		

SERVICE CHANGES

1. Changes on Clutch Assembly (TI# Y06367)

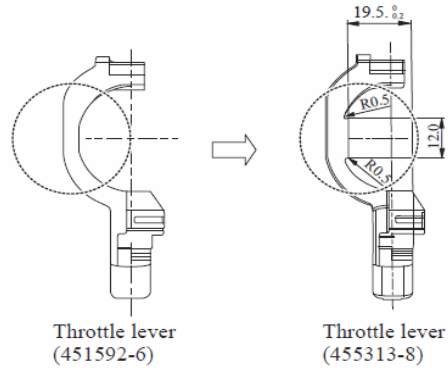
Item No.	Description	Type 1	Type 2
221	Clutch Assembly	125518-1	126135-0
140	Tension Spring	231858-8	231881-3

Above parts are completely interchangeable as a set.



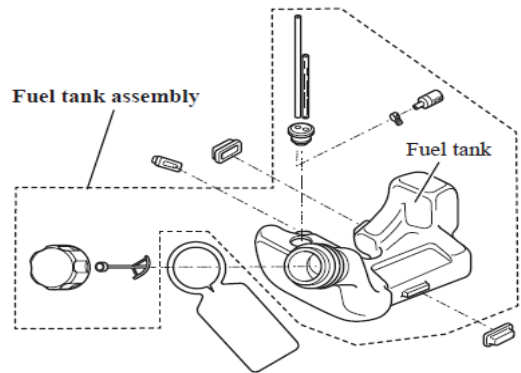
2. Changes on Throttle lever (TI#A2941)

Item No.	Description	Type 1	Type 2
50	Throttle lever	451592-6	455313-8



3. Changes on Fuel Tank / Fuel Tank Assembly (TI#A7689)

Item No.	Description	Type 1	Type 2
148	Fuel Tank	454004-8 (Fuel tank)	123417-1 (Fuel Tank Assembly)

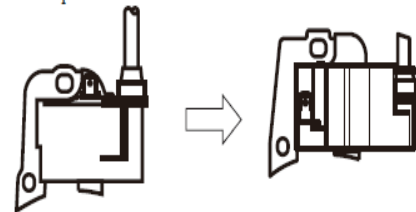


4. Changes on Ignition coil, Lead unit (TI#B1493)

Item No.	Description	Type 1	Type 2
132	Ignition Coil	168501-5	168816-0
218	Lead Wire	638664-6	632E38-3
219	Lead Wire	638665-4	632E39-1

Above parts are completely interchangeable as a set.

*Ignition coil: Terminal positions to connect Lead unit are different.



*Lead wire: One of Terminal has been changed from Flag type to straight type.

